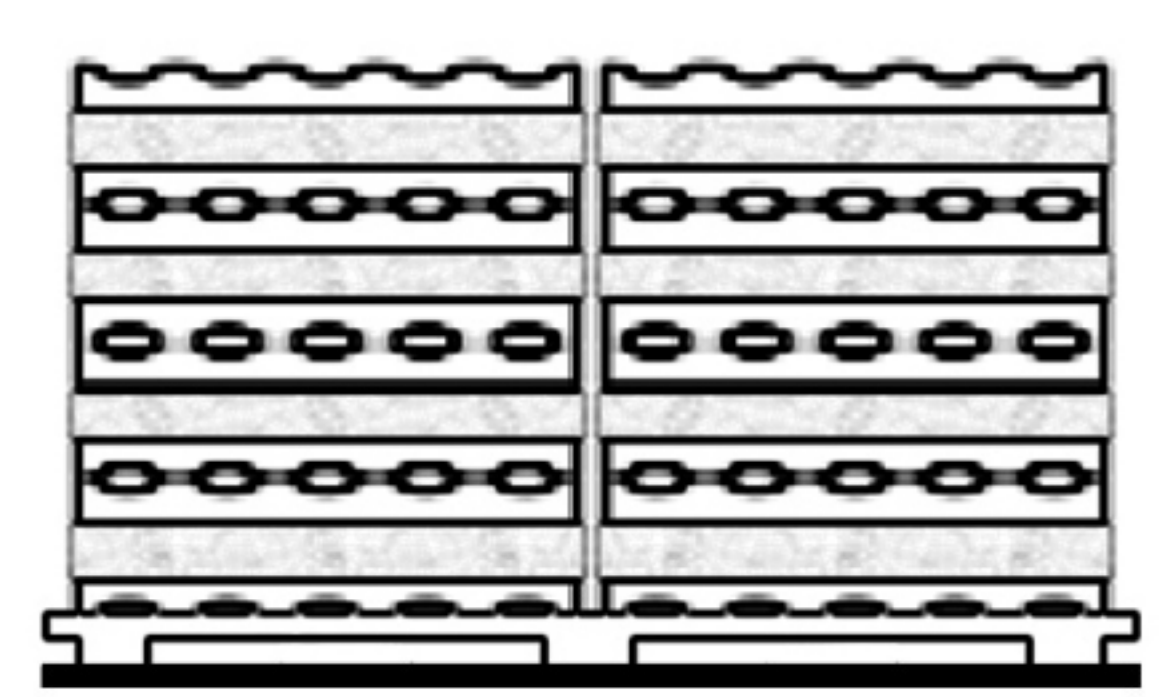


# Rubber Tile Installation Recommendations

## Storage and Handling

- A. Material should be delivered to the job site in its original, unopened packaging with all labels intact.
- B. Material should only be stored on a clean, dry, smooth surface, and ventilated place.
- C. Keep tiles away from rain, fire source, direct sunlight, and any other sources of heat - such as heaters, radiators, to prevent variations on dimensions and colors.
- D. Tiles should be stored in stacks of no greater than 1.5 meters, finish to finish, dimpled edge to dimpled edge, to protect the surface from scratches.



- E. Tiles should not be used in places where are exposed to fuels, oils, solvents, chemicals, large fluctuations in temperature, or area where moisture content is high.



## Substrate

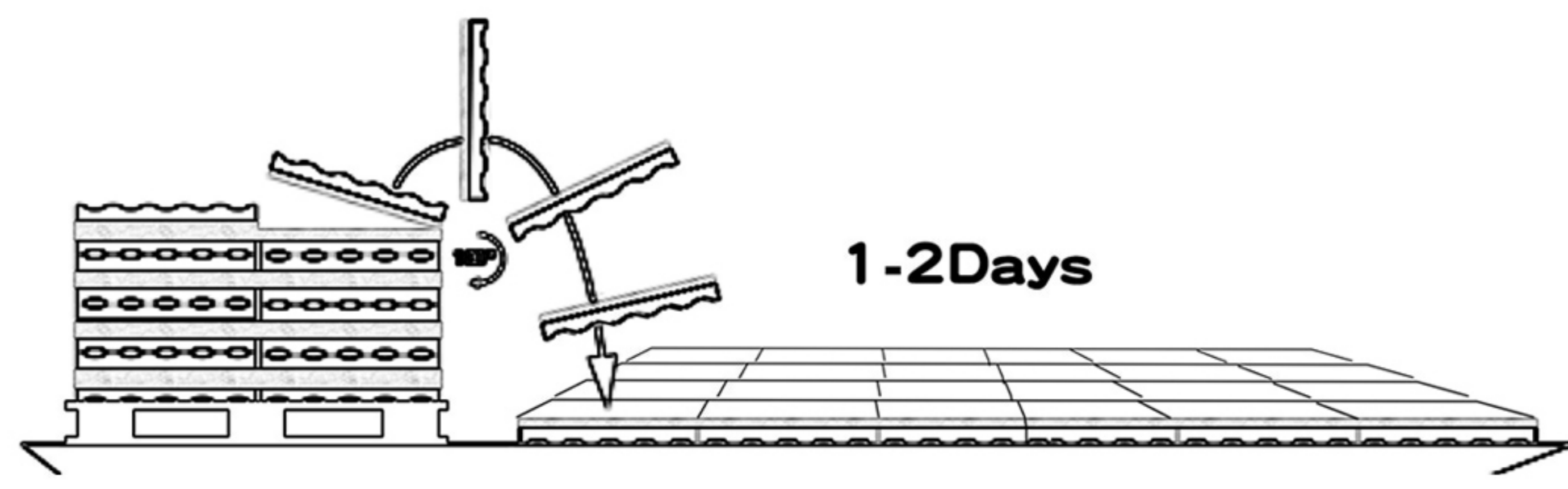


proper substrate

- A. The substrate must be solid, level, dry, clean structurally sound and free of dust, paint, oil, and other extraneous materials.
- B. Substrate should be smooth to prevent irregularities, roughness, or other defects from transferring through to the new flooring.

## Preparation Work

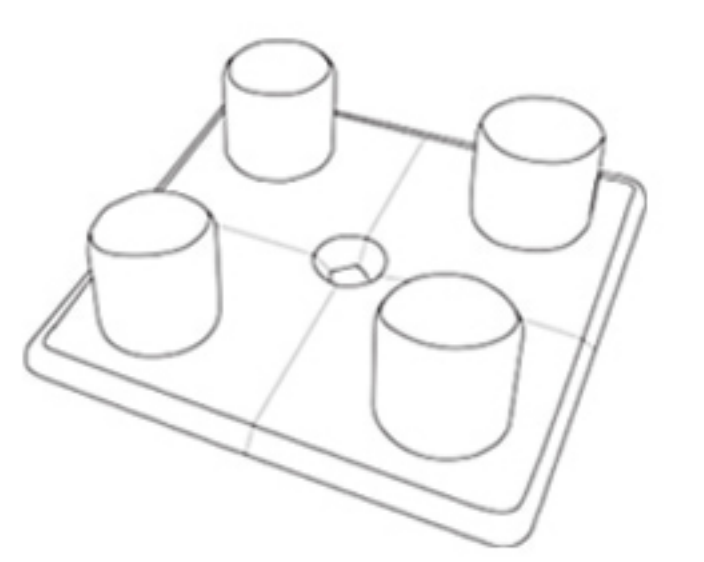
- A. Prior to installation, remove tiles from packaging and lay down loose on the ground for a minimum of 24 hours to be acclimated at room temperature.



- B. Inspect all materials for visual defects before beginning the installation.
- C. Hand select and position the material to avoid color variations caused by light angle.
- D. Humidity levels should be measured in advance of installation to ensure compliance with adhesive requirements.

## Installation for indoor applications

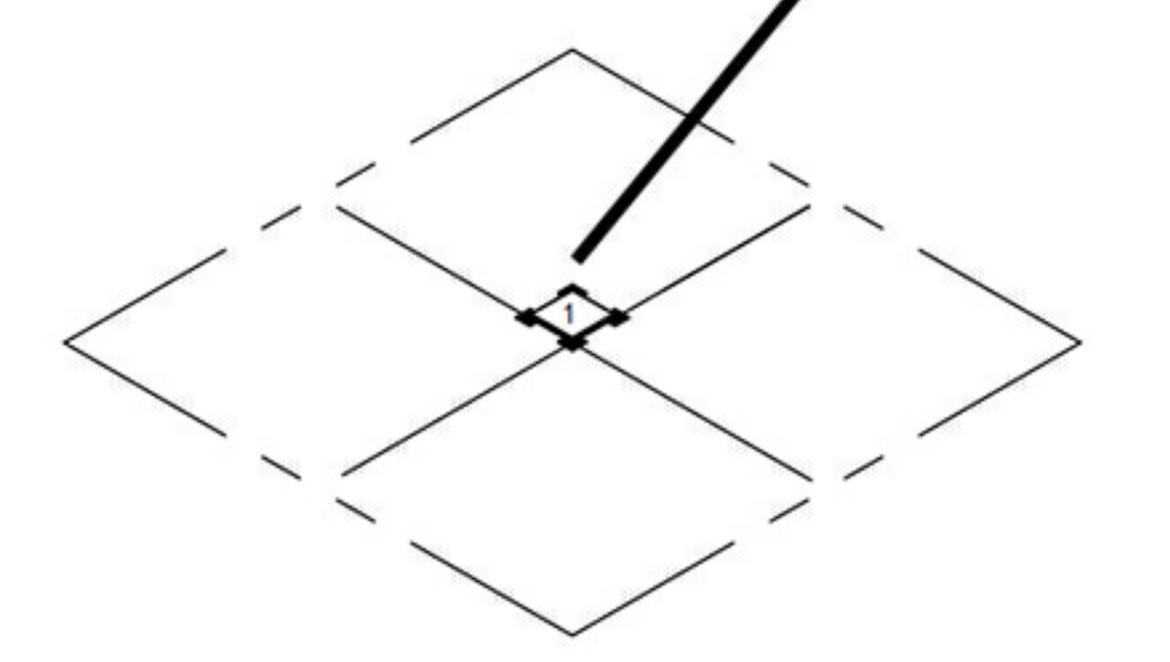
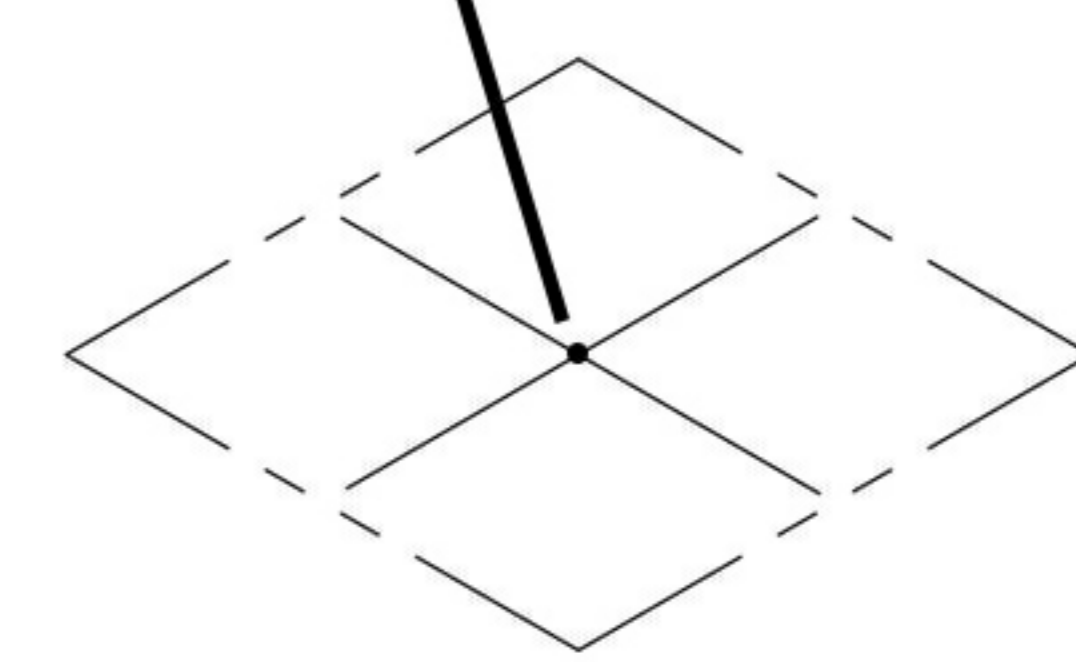
- A. Whenever possible, the installation should be done in one day so that all tiles are installed under the same ambient conditions.
- B. Rubber tiles (over 20mm thick) have mounting holes, to be set with specialized plastic connector.



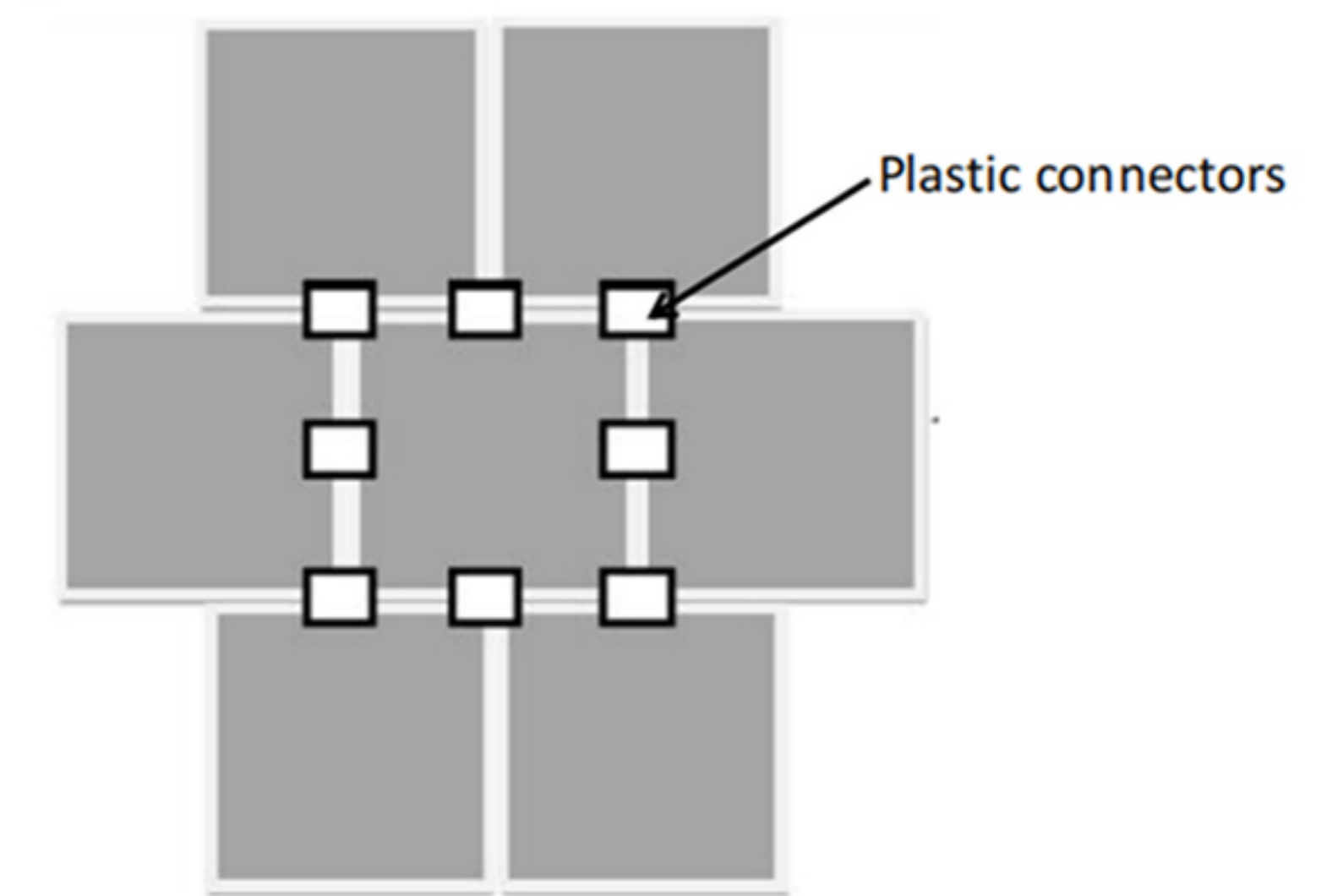
- C. For large areas, every 50m<sup>2</sup> shall be divided as an installation section.
- D. Begin the installation from the center of each section.

center point

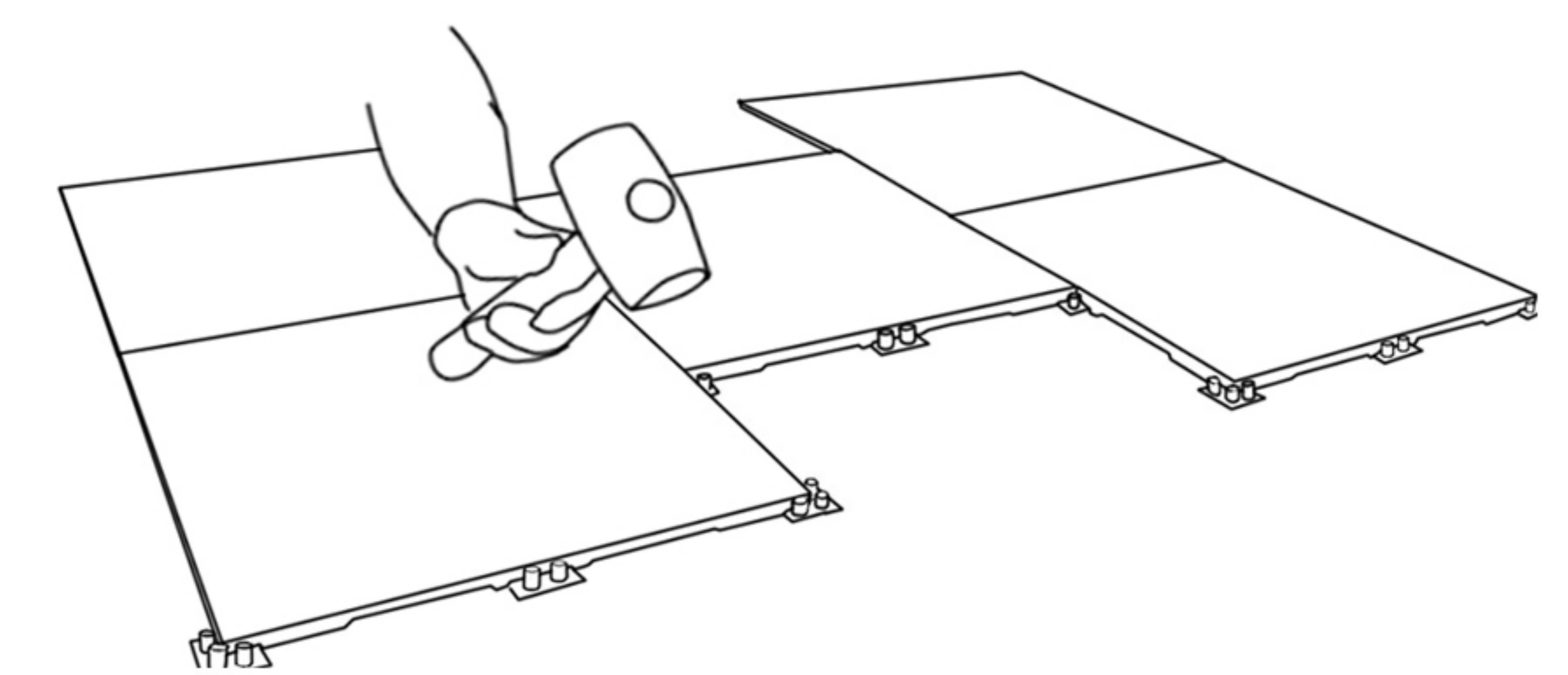
first tile



- E. Brick installation is recommended. See diagram.

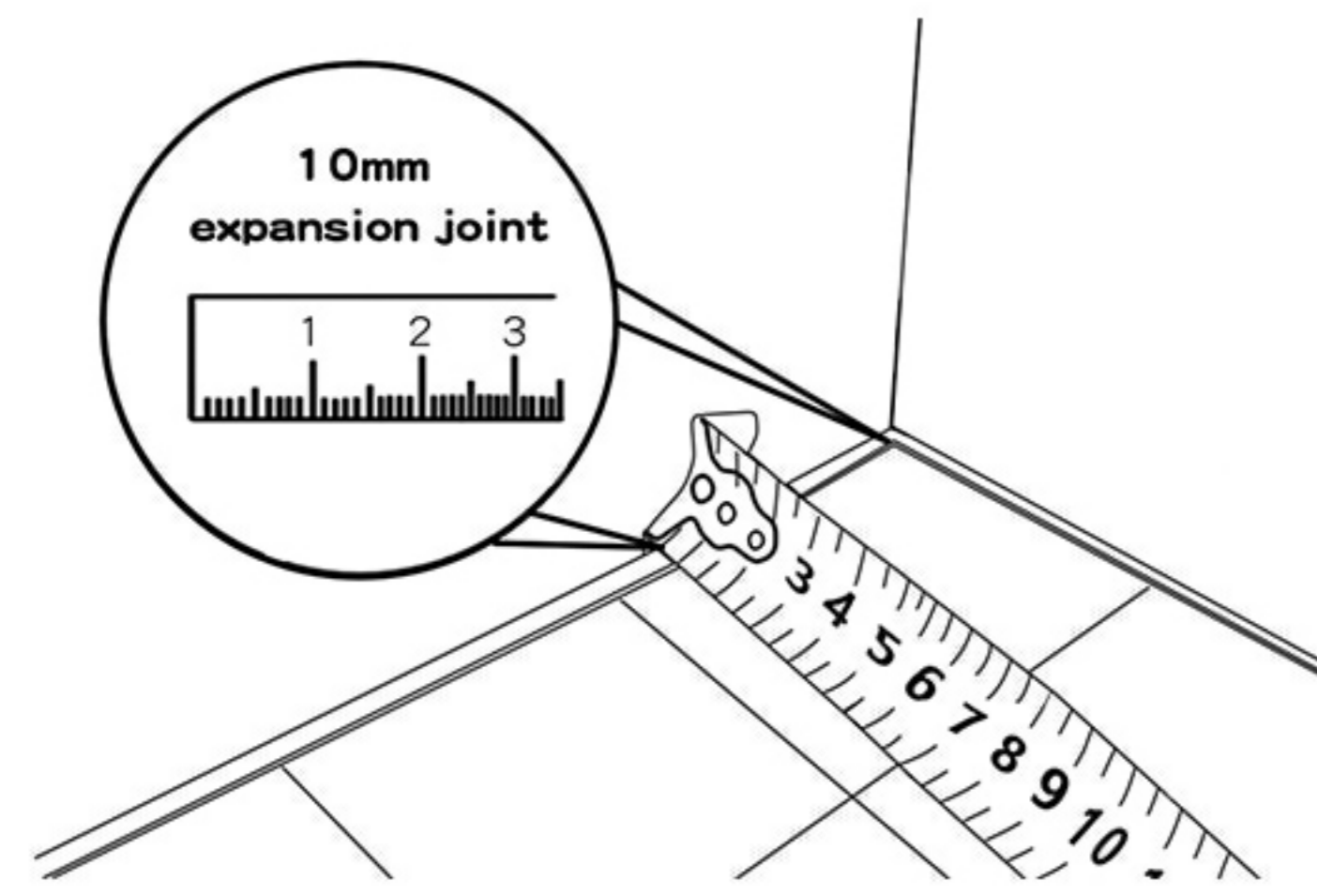


- F. Use rubber mallet to tap tight and flatten the tiles and connectors to eliminate gaps.

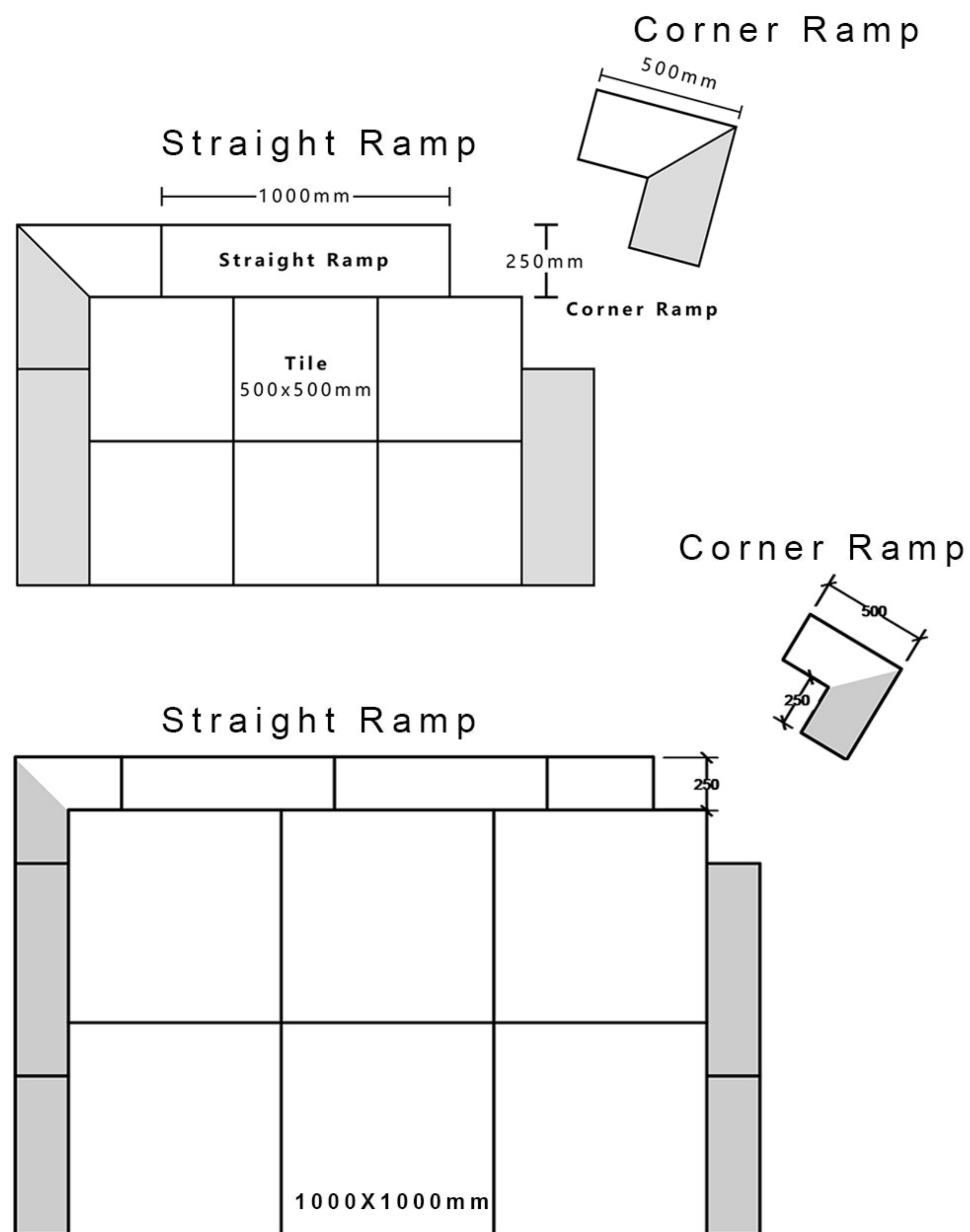




- G. Cut the last piece to fit against the wall using a metal straight edge and a heavy-duty utility knife.
- H. Do not squeeze the tile against the wall. Allow a 10mm gap around the perimeter for expansion joint.

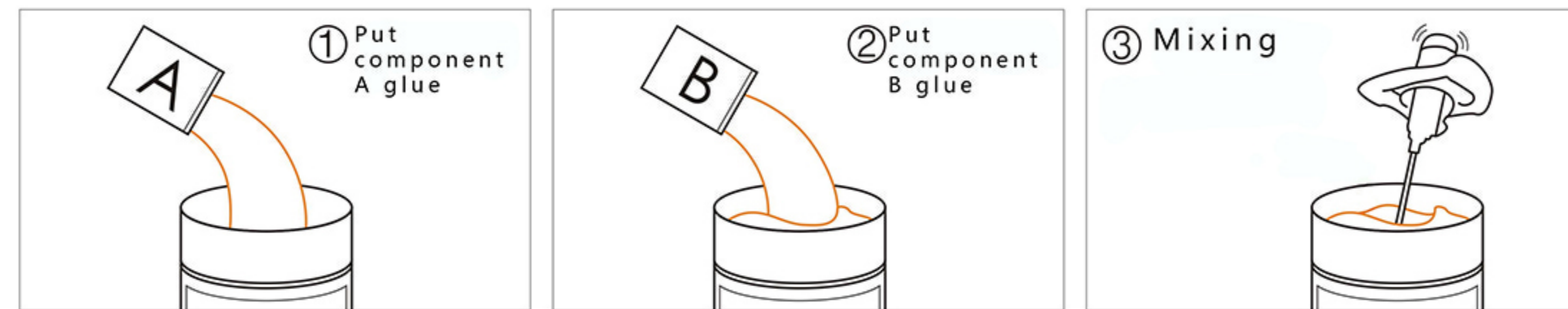


- I. The entire surface must be enclosed and held on all sides, ensuring the tiles can't move.
- J. If there are open edges to the space, use straight and corner ramps which allow for a ramp down to adjoining floor finishes.

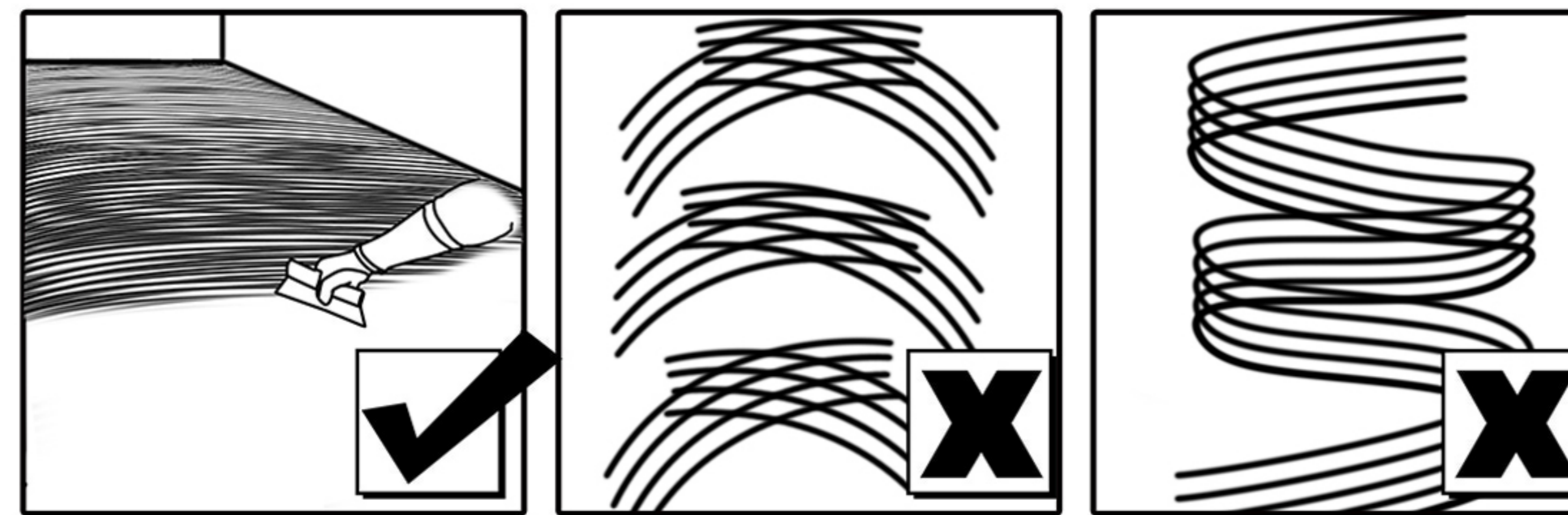


## CONNECTOR AND ADHESIVE Mandatory for outdoor installations

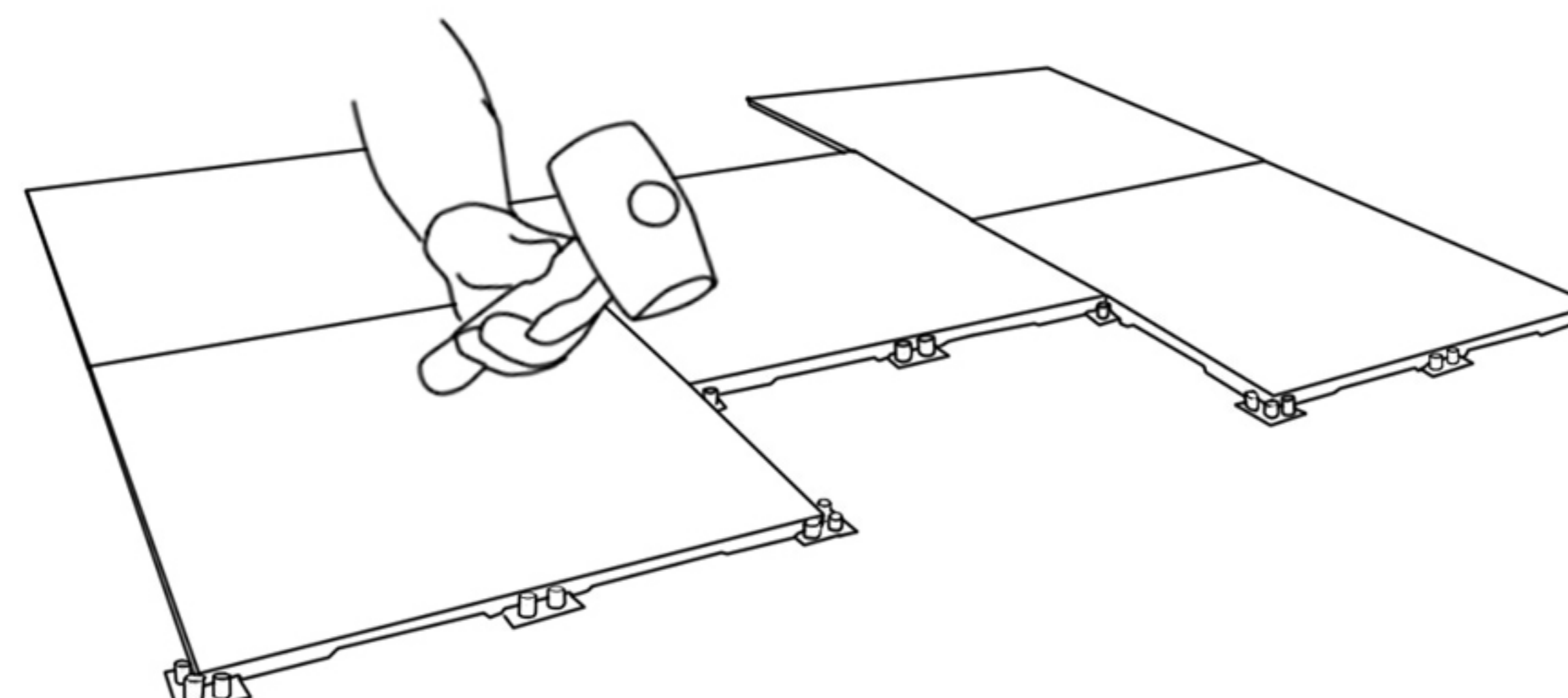
- A. For outdoor installations, the subsurface should be constructed with a designed slope for drainage system.
- B. It's recommended to use the two-component polyurethane adhesive. It's mandatory to verify the type of adhesive before the application. (When the performance of the adhesive can not be identified, sample should be taken to conduct adhesive bond tests.)
- C. Mix the adhesive evenly with an S shape mixer, in strict accordance with proportions as per the manufacturer's instructions.



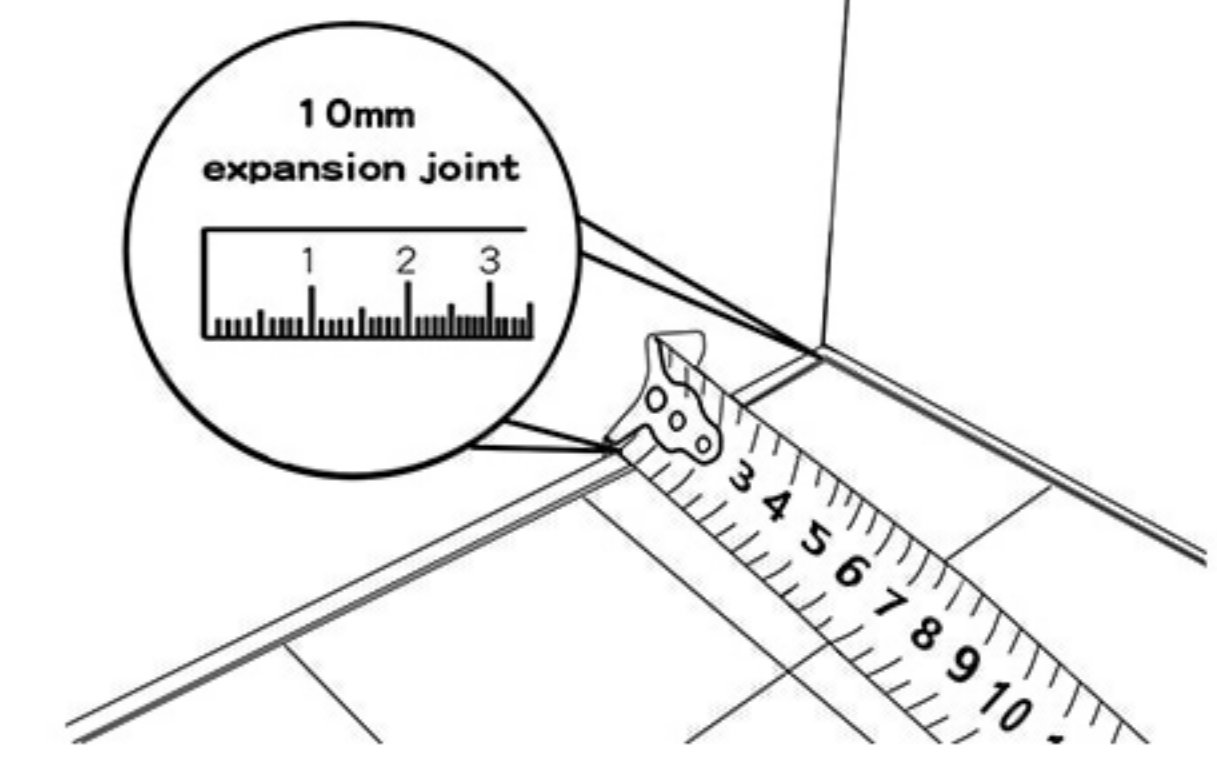
- D. Apply the glue evenly with a notched trowel over the area where the tiles will be installed. Full glue down is mandatory. Do not leave any spare space when spreading the adhesive.



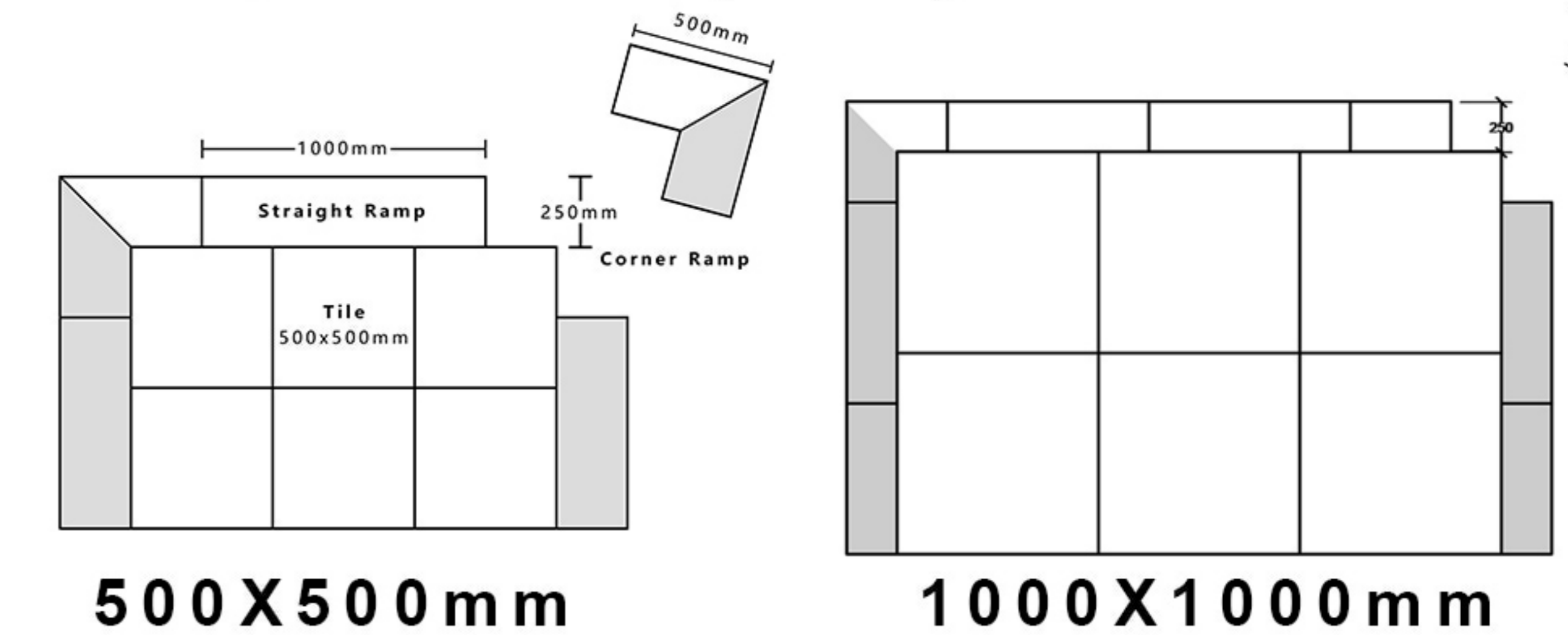
- E. Lay the tiles onto the wet adhesive when viscosity works.
- F. Use a rubber mallet to tap tight and flatten the tiles and connectors to eliminate gaps.



- G. Cut the last piece to fit against the wall using a metal straight edge and a heavy-duty utility knife. Do not squeeze the tile against the wall. Allow a 10mm gap around the perimeter for expansion joint.



- H. The entire surface must be enclosed and held on all sides, ensuring the tiles can't move.
- I. If there are open edges to the space, use straight and corner ramps which allow for a ramp down to adjoining floor finishes.



- J. Allow 24 hours for adhesive to cure before opening area for foot traffic.

## Cleaning

- A. Remove all surface soil, debris, sand, and grit by sweeping or vacuuming daily.
- B. Use neutral cleaning agents and a wet vacuum to absorb excess water on the flooring.
- C. Use transparent liquid wax as regular maintenance to keep the floor bright.

## DISCLAIMER:

These recommendations correspond to extensive experience and current technological practice of the manufacturer and are subject to modification. Due to varying conditions during installations, which are beyond our control, these instructions are not binding and the manufacturer may not be held liable for the results of any flooring laid.

**Important Information:** For heavy strength areas like barbells, special treatment is required. Consult the manufacturer for details.